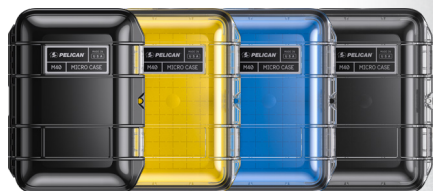
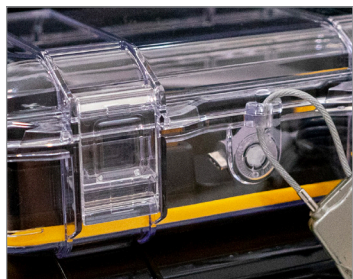


M40

MICRO CASE



SMALL CASE. BIG PROTECTION.



DUAL LATCHES AND A PADLOCK HOLE FOR INCREASED SECURITY



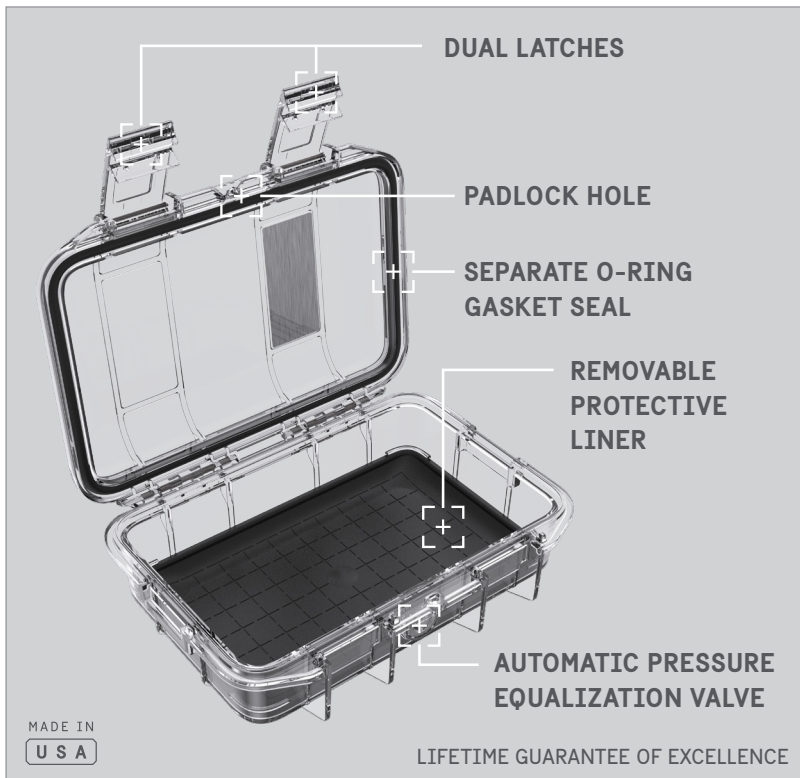
REMOVABLE NO-SLIP BOTTOM LINER



IP67 RATED
SUBMERSIBLE UP TO 1 METER OF WATER FOR UP TO 30 MINUTES



STACKABLE DESIGN FOR EASY STORAGE



PELICAN™ M40 MICRO CASE

Color	Part Number	UPC Code	MSRP/MAP	Interior Dimensions	Exterior Dimensions	Masterpack Quantity	Masterpack UPC
M40 Clear Case / Black Liner	M400-0250-100	019428 182892	\$34.95	6.00"L x 3.80" Wx 2.10"H	6.80"L x 5.00"W x 2.60"H	4	019428 182892
M40 Black Case / Black Liner	M400-0250-110	019428 182922	\$34.95	6.00"L x 3.80" Wx 2.10"H	6.80"L x 5.00"W x 2.60"H	4	019428 182922
M40 Clear Case / Blue Liner	M400-0260-100	019428 182908	\$34.95	6.00"L x 3.80" Wx 2.10"H	6.80"L x 5.00"W x 2.60"H	4	019428 182908
M40 Clear Case / Yellow Liner	M400-0270-100	019428 182915	\$34.95	6.00"L x 3.80" Wx 2.10"H	6.80"L x 5.00"W x 2.60"H	4	019428 182915



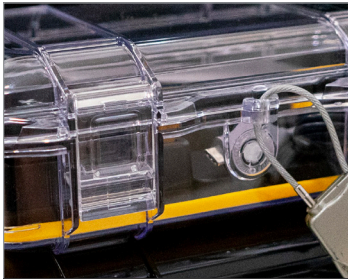
PELICAN™
BUILT TO PROTECT™

M50

MICRO CASE



SMALL CASE. BIG PROTECTION.



DUAL LATCHES AND A PADLOCK HOLE FOR INCREASED SECURITY



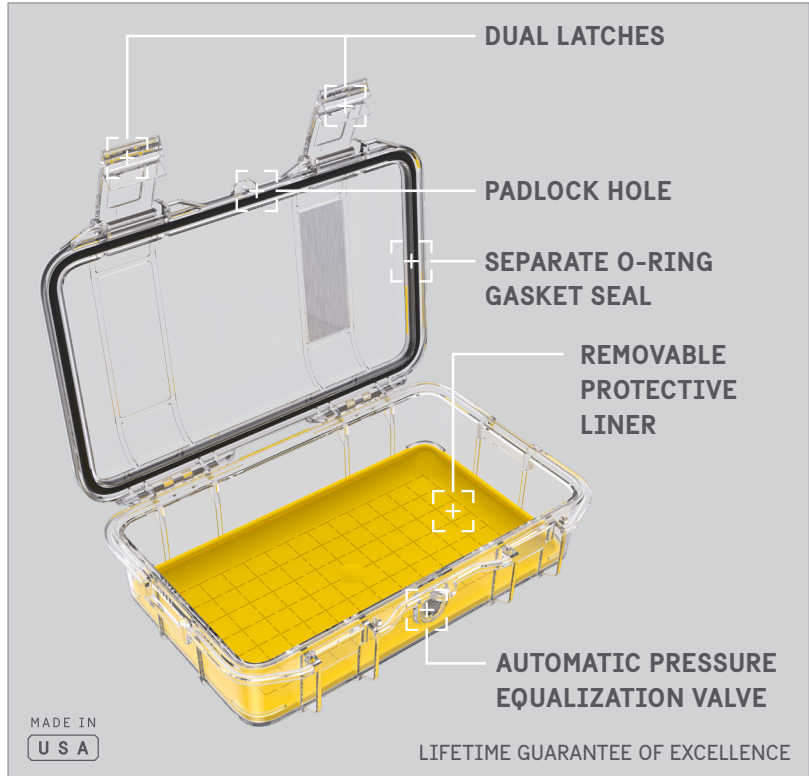
REMOVABLE NO-SLIP BOTTOM LINER



IP67 RATED
SUBMERSIBLE UP TO 1 METER OF WATER FOR UP TO 30 MINUTES



STACKABLE DESIGN FOR EASY STORAGE



PELICAN™ M50 MICRO CASE

Color	Part Number	UPC Code	MSRP/MAP	Interior Dimensions	Exterior Dimensions	Masterpack Quantity	Masterpack UPC
M50 Clear Case / Black Liner	M500-0250-100	019428 182939	\$39.95	7.30"L x 4.30"W x 2.40"H	8.10"L x 5.50"W x 2.90"H	4	019428 182939
M50 Black Case / Black Liner	M500-0250-110	019428 182960	\$39.95	7.30"L x 4.30"W x 2.40"H	8.10"L x 5.50"W x 2.90"H	4	019428 182960
M50 Clear Case / Blue Liner	M500-0260-100	019428 182946	\$39.95	7.30"L x 4.30"W x 2.40"H	8.10"L x 5.50"W x 2.90"H	4	019428 182946
M50 Clear Case / Yellow Liner	M500-0270-100	019428 182953	\$39.95	7.30"L x 4.30"W x 2.40"H	8.10"L x 5.50"W x 2.90"H	4	019428 182953

PELICAN.COM

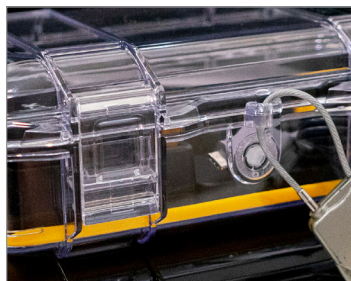
23215 Early Avenue, Torrance, CA 90505 • TEL 310.326.4700 • FAX 310.326.3311
©2023 Pelican Products, Inc. All trademarks are registered and/or unregistered trademarks of Pelican Products, Inc., its subsidiaries and/or affiliates.
* Contents not included For warranty details go to www.pelican.com/warranty



M60 MICRO CASE



SMALL CASE. BIG PROTECTION.



DUAL LATCHES AND A PADLOCK HOLE FOR INCREASED SECURITY



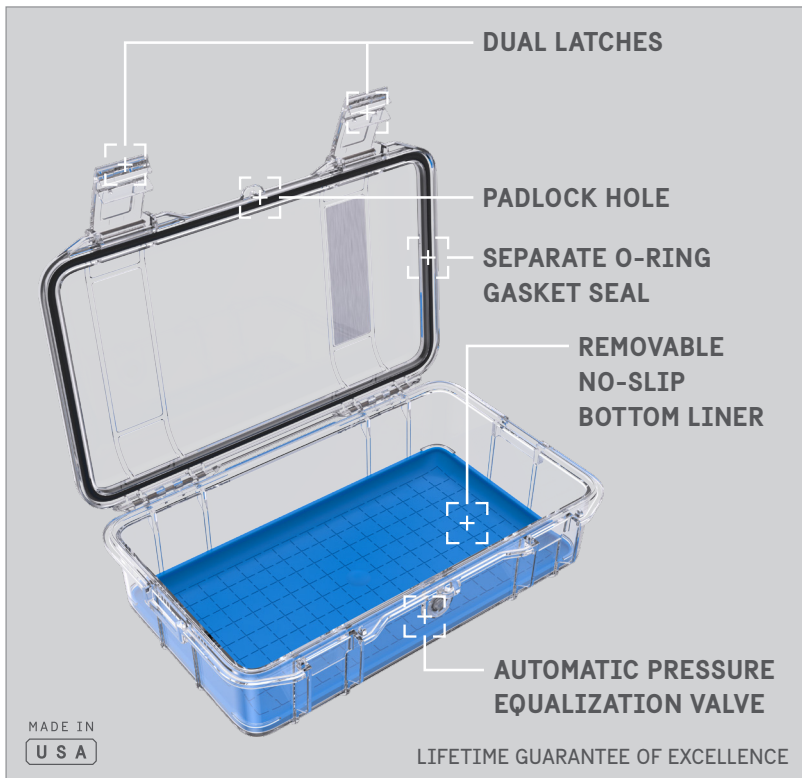
REMOVABLE NO-SLIP BOTTOM LINER



IP67 RATED
SUBMERSIBLE UP TO 1 METER OF WATER FOR UP TO 30 MINUTES



STACKABLE DESIGN FOR EASY STORAGE



LIFETIME GUARANTEE OF EXCELLENCE

PELICAN™ M60 MICRO CASE

Color	Part Number	UPC Code	MSRP/MAP	Interior Dimensions	Exterior Dimensions	Masterpack Quantity	Masterpack UPC
M60 Clear Case / Black Liner	M600-0250-100	019428 182977	\$49.95	8.50"L x 4.30"W x 2.70"H	9.30"L x 6.00"W x 3.20"H	4	019428 182977
M60 Black Case / Black Liner	M600-0250-110	019428 183004	\$49.95	8.50"L x 4.30"W x 2.70"H	9.30"L x 6.00"W x 3.20"H	4	019428 183004
M60 Clear Case / Blue Liner	M600-0260-100	019428 182984	\$49.95	8.50"L x 4.30"W x 2.70"H	9.30"L x 6.00"W x 3.20"H	4	019428 182984
M60 Clear Case / Yellow Liner	M600-0270-100	019428 182991	\$49.95	8.50"L x 4.30"W x 2.70"H	9.30"L x 6.00"W x 3.20"H	4	019428 182991